



BOLT BUILDINGS

modular steel building system

No Welding.

No Sweat.

It's really that simple.

- *Eight sizes to choose from.*
- *Multiple Color options.*
- *Package ships quickly.*
- *Build it quick.*
- *Install with simple tools.*

*Detailed instructions and
step-by-step videos online at
boltbuildings.com*



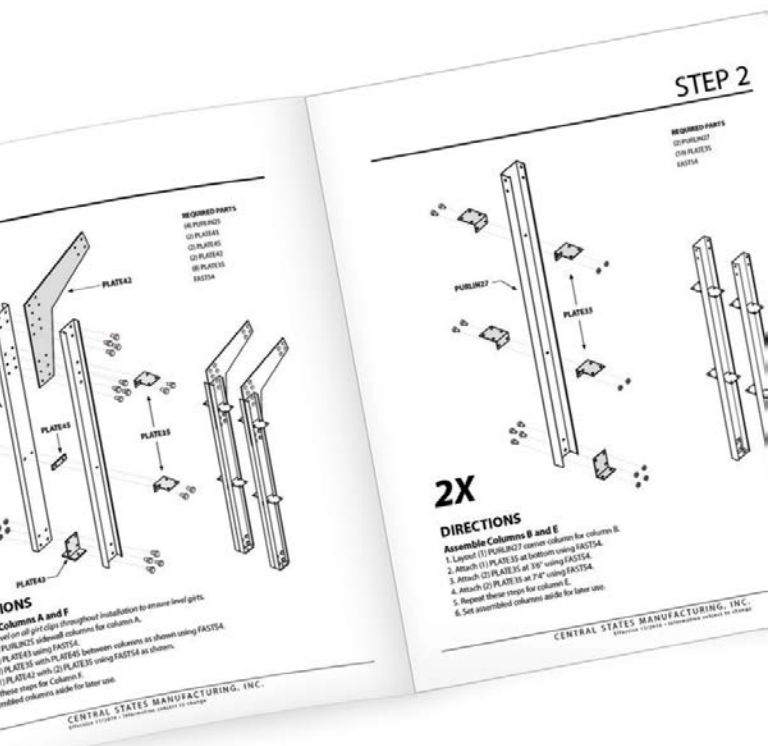
If you can use a wrench, you can build Bolt Buildings!

Seriously...**it's that simple.**

Just follow our step-by-step instructions using wrenches, ladders and screw guns and you can have a new building in just a few days.



*Engineered cees and zeos
bolt together with solid steel plates
to give us its strength.*

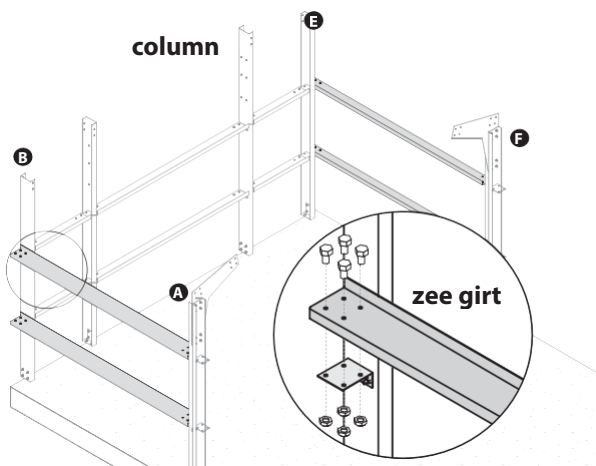




Adding zee girts between the columns make the walls strong.

DAY 1:

- Assemble columns - approx. 4 hours
- Stand columns - approx. 1 hour
- Attach zee girts - approx. 3 hours
- Assemble rafters - approx. 2 hours

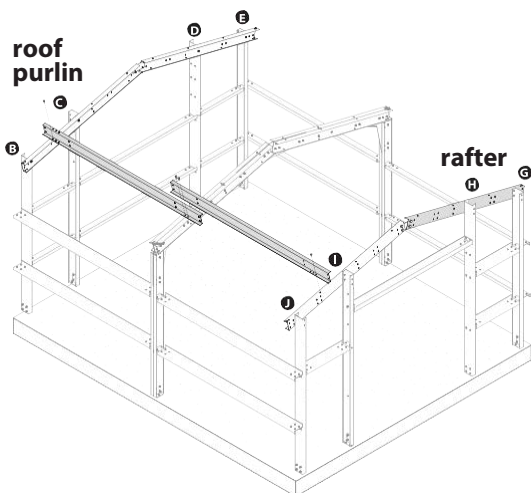




*A group of friends and a few **ladders** make raising the center rafters quick.*

DAY 2:

- Raise and install rafters - approx. 3 hours
- Install roof purlins - approx. 2 hours

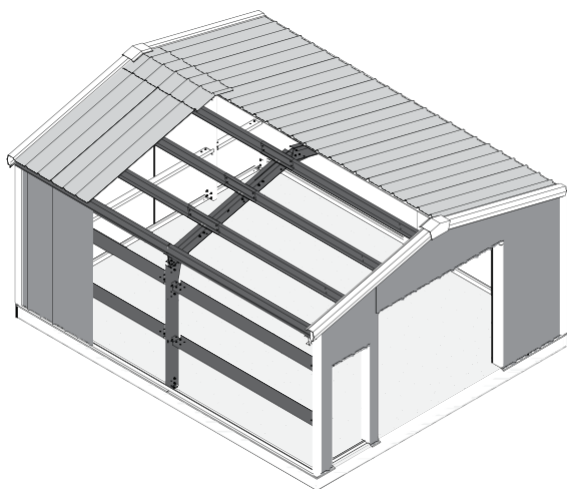


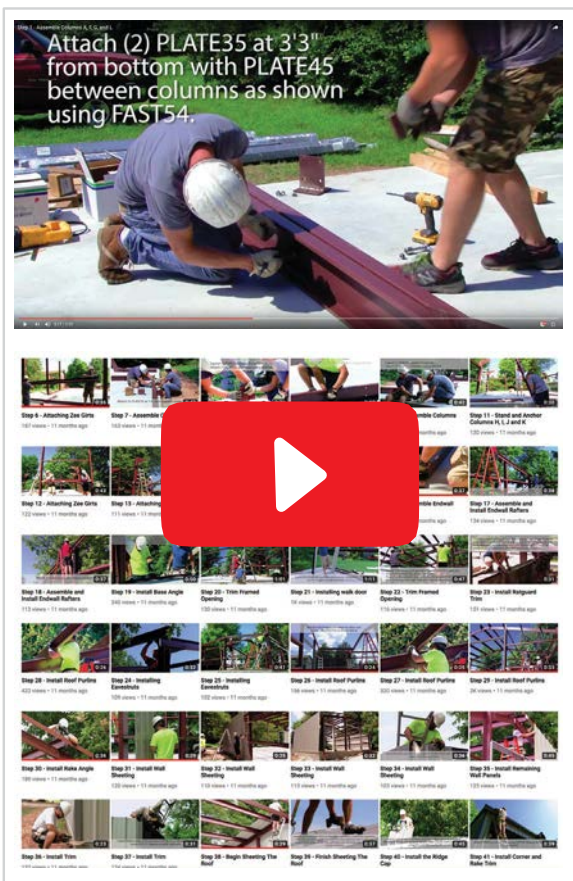


All you need is a **power drill** to attach the roof and wall panels.

DAY 3:

- Install siding - approx. 2 hours
- Install roofing - approx. 2 hours
- Install trim - approx. 2 hours





Step-by-step instructional videos online

We've got 46 instructional videos that will help guide you every step of the way. You can do it!

Check them out online at

boltbuildings.com

Planning:

- Check local zoning regulations
- Obtain a building permit, if required
- Plan and grade site
- Frame and pour concrete foundation with embedded anchor bolts, concrete foundation specialist recommended

Required tools:

- PPE (safety glasses, hard hat, gloves)
- Socket w/ratchet, 1" and 3/4"
- Nutdriver, 1/4" and 5/16"
- Open/closed end wrench, 3/4"
- Power drill
- Ladder(s)
- Ratchet straps, 3" x 30'
- Metal snips/shear
- Level, 4' magnetic
- Sledgehammer, small 3lbs
- Three good friends + beverages

Make your life easier:

These items are not required, but can make installation easier or quicker.

- Crescent spud wrench, 3/4"
- Impact driver/hammer drill
- Turbo shear for cutting panels
- Scaffolding, scissor lift, or tractor for raising roof purlin

Call us for a price today!